

HGPOWER®

SPECIFICATION

ADPV25/26 series AC/DC Adapter

HGPOWER ADD: No.1 Guiyang Road ,Lijia ,Wujin, Changzhou, Jiangsu , China
TEL: 86-519-86736307 FAX: 86-519-86731270
E-mail:sales@hgpower.com

1. SCOPE

This is the engineering specification of ADPV25/26 10-25Watt power AC/DC wall plug-in adapter , with wide voltage 100V--240V AC input, single DC output, packaged into a fully enclosed plastic case with integrated output cable and connector.

Models covered: ADPV25A-HGP-AD16A09
 ADPV25B-HGP-AD18A12
 ADPV25C-HGP-AD12A05
 ADPV26A-HGP-AD20A09
 ADPV26B-HGP-AD24A12

2. CONNECTIONS

The following specifies the input and output connection requirement of the power supply.

2.1	INPUT CONNECTOR Wall mount USA/Europe/UK plug	
2.2	OUTPUT CABLE/CONNECTOR A two wire cable with standard DC connector .	
2.3	PIN ASSIGNMENTS	
	INPUT(J1)	OUTPUT(CSI)
	Pin 1:Line	Outside: GND
	Pin 2:Neutral	Inside : Vout(I)

3. ELECTRICAL REQUIREMENTS

(Unless specified otherwise, all specifications are at nominal input voltage, full load, 25deg C, PSU at warmed up condition.)

3.1	INPUT The operating conditions with respect to the AC input voltage are described in this section.
3.1.1	INPUT VOLTAGE The operating voltage range is: 100V to 240 VAC.
3.1.2	INPUT CURRENT 0.4-0.7A
3.1.3	INPUT FREQUENCY Input frequency range shall be 47-63Hz.
3.1.4	INRUSH CURRENT Maximum inrush shall be less than 20A at 240VAC.
3.1.5	EFFICIENCY The efficiency of the power supply is 77% nominal, Measured at Full Load and nominal AC Input voltage of 100VAC. 25 ⁰ C with the PSU warmed up, at 9V output. O/P Cable drop of 0.20V typical is removed for this calculation.
3.1.6	POWER FACTOR Input AC voltage connects to internal diode bridge rectifier and Filter, 20W –24W output load is >0.55
3.2	OUTPUT POWER The operating conditions for the regulated DC output are described in this section.
3.2.1	OUTPUT POWER Depends on models, possible Max. Output power is 24W with O/P voltage of 12V and above,18W for O/P volt and down to 7V It is 15W below 5V it is 10W.

3.2.2	OUTPUT VOLTAGE Initial point voltage is measured at Min. Load/ Half Load/Max. load, at nominal input AC voltage, The nominal output voltage of a specific model ADPV25/26-HGP-ADxxAyy is "YY" volt.This voltage change is indicative of change due to process variation and change due to load variation. The set point tolerance is measured with reference to the respective nominal Voltage and expressed as percentage of the nominal output voltage.				
	Model	OUTPUT	NOMINAL VOLTAGE	SETPOINT TOLERANCE	User Adjust
	ADPV25A-HGP-AD16A09	+V out(I)	+9VDC	<4%	NA
	ADPV25B-HGP-AD18A12	+V out(I)	+12VDC	<4%	NA
	ADPV25C-HGP-AD12A05	+V out(I)	+5VDC	<4%	NA
	ADPV26A-HGP-AD20A09	+V out(I)	+9VDC	<4%	NA
	ADPV26B-HGP-AD24A12	+V out(I)	+12VDC	<4%	NA

3.2.3	OUTPUT CURRENT The maximum load capacitance shall be less than 1500uF for any nominal output voltage below 9V and 1000uF for any nominal o/p volt above 12V. Any load capacitance shall be discharged below 1V before the PSU is turned on. The max. continuous rated output current for the specific models is listed below. ADPV25/26,Under overload, max permissible P-P power is 30-40W, protection (Over Current Protection) shall not be activated greater than the Min. P-P current.				
	Model	Output	MIN. Load Current	MAX. Load Current	Peak Current limit min(P-P)
	ADPV25A-HGP-AD16A09	+Vout(I)=9V	0A	1.8A	4.0A
	ADPV25B-HGP-AD18A12	+Vout(I)=12V	0A	1.5A	3.0A
	ADPV25C-HGP-AD12A05	+Vout(I)=5V	0A	2.5A	6.0A
	ADPV26A-HGP-AD20A09	+Vout(I)=9V	0A	2.2A	4.0A
	ADPV26B-HGP-AD24A12	+Vout(I)=12V	0A	2. A	3.3A

3.2.4	LINE REGULATION Regulation is measured by varying the line voltage from 100-240VAC, at full load.
-------	---

Model	OUTPUT	TOLERANCE
ALL	+Vout(I)	<4%

3.2.5	LOAD REGULATION Measured by varying the load current from MIN Load to FULL load at nominal AC input voltage. Measured at o/p power cord end. This measures output voltage variation of a unit due to load change and is indicative of design capability. The tolerance is measured with reference to the respective nominal Voltage and expressed as percentage of nominal output voltage.
-------	--

Model	OUTPUT	TOLERANCE
ALL	+Vout(I)	<3%

3.2.6	CROSS REGULATION Measured at 50% load on output while any other output load changed by 50%.
-------	---

3.2.7	OUTPUT RIPPLE AND NOISE VOLTAGE (PAPD) Measured at full load, 100MHz bandwidth, with a 0.1uF Ceramic Cap and a 47uF Tant. Cap/E-Cap. connected at the measurement point. The maximum PARD PK-PK ripple and noise is indicated below.
-------	--

Model	Output	Max pk-pk
ADPV25A-HGP-AD16A09	+Vout(I)=9V	<200mV
ADPV25B-HGP-AD18A12	+Vout(I)=12V	<250mV
ADPV25C-HGP-AD12A05	+Vout(I)=5V	<100mV
ADPV26A-HGP-AD20A09	+Vout(I)=9V	<200mV
ADPV26B-HGP-AD24A12	+Vout(I)=12V	<300mV

3.2.8	<p>OUTPUT TRANSIENT RESPONSE</p> <p>The load current of measured output is changed between 10% to 100% max load for all models, at 0.1A/sec slew rate, at 100/120Hz, 50% duty cycle. The recovery time and excursion is measured when the output voltage has recovered to within 1% of the load regulation band. Expressed as percentage of the nominal voltage.</p>
-------	---

Model	Output	RECOVERY TIME To regulation	MAX. EXCURSION From Regulation
ALL	+Vout(I)	<1ms	<3%

3.2.9	<p>OUTPUT TRANSIENT RESPONSE</p> <p>Long-term output voltage drift over 1000 hours of operation, at Vout (I) is typically less than 0.5%.</p>
-------	--

3.2.10	<p>OUTPUT OVERSHOOT</p> <p>The overshoot voltage as a percentage of nominal output voltage at initial power up of the PSU, at 20w full load condition is indicated below. Measured with ref. to the o/p regulation band.</p>
--------	---

Model	OUTPUT	OVERSHOOT
ALL	+Vout(I)	<5%

3.2.11	<p>OUTPUT PROTECTION</p> <p>The power supply load shall be protected against a fault condition described below.</p>
--------	--

3.2.11.1	<p>OVERVOLTAGE</p> <p>Redundant Feedback type. The load is protected against any output over voltage under any fault condition . The trip voltage depends on the nominal output voltage of the models, it is between 130-150% of rated voltage .</p>
----------	---

3.2.11.2	<p>OUTPUT SHORT CIRCUIT /OVERLOAD PROTECTION</p> <p>The PSU shall be protected against overload as per section 3.2.3. The power supply will be protected against output short circuit. Short circuit current shall be less than 0A rms. Under all conditions. Output voltage of less than 50%Vout(I) constitutes a short. The PSU will self recover within a max. of 30 sec. after removal of the fault.</p>
----------	---

3.2.12	<p>OUTPUT RISE TIME</p> <p>The time taken by the output to rise from 10% to 90% of the final steady state value, should be as below.</p>
--------	---

Model	OUTPUT	MAX RISE TIME
ALL	+Vout(I)	<10ms

3.2.13	<p>TURN-ON DELAY</p> <p>The rum-on delay time, from the time AC power is applied to the PSU till the o/p voltage is within the regulation band. Shall be less than 8seconds at 100 VAC. cold start.</p>
--------	--

3.2.14	OUTPUT HOLD-UP-TIME The power supply shall maintain the output within it's voltage/current specifications for more than 20ms. after any loss of AC input voltage. Measured at nominal input voltage of 100-240VAC and at point when output is crossing regulation band.
3.2.15	REMOTE SENSE N/A

3.2.16	POWER FALL/POWER GOOD SIGNAL N/A
3.2.17	TEMPERATURE COEFFICIENT Temperature coefficient over the entire operating temperature range of 0°C to 40°C after one hour warm-up will be as follows:

Model	OUTPUT	TEMP. COEFF.
ALL	+Vout(I)	<2.4mV/°C

4. ENVIRONMENTAL REQUIREMENTS

4.1	TEMPERATURE Operating temperature range is -10°C to 40°C at the respective rated output power, with free air convection. Surface temperature shall be less than 60°C at 20°C operating temperature. Non-operating temperature range: -40°C to 85°C.					
4.2	ALTITUDE Maximum operating altitude: 10,000 feet, Maximum Non-operating altitude: 40,000 feet.					
4.3	HUMIDITY Non-condensing relative humidity range: 5% to 95%.					
4.4.1	VIBRATION The power supply shall meet operating, non operating and package vibration,					
	vibration	frequency	acceleration	time	cycles	
	Operating	5-500Hz	0.5G	15min,XYZ all 15 min	2	
	Non operating package	5-500Hz	1G	15min,XYZ all 15 min	2	
4.4.2	SHOCK The power supply shall meet operating and non operating shock, On floorboards thick for 10mm wood block.					
	Shock	height	direction	cycles		
	Operating	0.3m	XYZ all 3 times	6		
	Non operating	1.0m	XYZ all 3 times	6		
4.5	INPUT TRANSIENT SUSCEPTIBILITY The unit shall comply with requirements of IEC, 1000-4-2, IEC 1000-4-4 and IEC 1000-4-5, will withstand ESD of 8K Contact Discharge, will withstand ESD of 20K Air Discharge, 10 strikes, both +ve and -ve, as per IEC 1000-4-2.					
4.6	AC-LINE INPUT INRUSH NOISE Minimum dielectric AC-line inrush voltage noise: Between AC input L to N: .					
	Inrush noise	Tr / Td	Voltage	Phase	time	
	Operating	1.2 μs / 50 μs	2.0kV	0°	1 min	10
				90°		10
270°				10		
360°				10		

4.7	THERMAL SHUTDOWN NC
-----	------------------------

5. SAFETY REQUIREMENTS

5.1	DIELECTRIC WITHSTAND VOLTAGE Minimum dielectric withstand voltage: Between input to output: 3000VAC rms/1 minute. Leakage current shall be 2mA maximum.		
5.2	LEAKAGE CURRENT Maximum leakage current from primary to secondary shall be 0.25mA , Minimum voltage 240VAC rms.		
5.3	INSULATION RESISTANCE Minimum insulation resistor from primary to secondary shall be 100M Ω , The voltage DC 500V.		
5.4	SAFETY SPACINGS 6.4mm minimum between primary and secondary.		
5.5	SAFETY STANDARDS APPROVAL The power supply will meet Class II, SELV of the following safety agency requirements:		
5.5	UL STANDARDS		
1	1.	UL1492-2 edition	The standard for audio-video products and accessories.
	2.	UL6500 edition	The standard for products and accessories.
	C-UL		
	1	CSA C22.2 No.1	Safety of radio, television and electrical equipment.
	2	CSA C13.2 No.1	Safety of radio, television and electrical equipment.
	3	CSA C22.2 No.950	Safety of information technology equipment, including electrical business equipment.
	4	CSA-E65	The standard for information technology equipment, including electrical business equipment and associated equipment.
5.5.	2		
5.5.	3 MARKING With the following marking: UL,C-UL,CE,CCC		
5.6	REL. IABILITY		
	5.1.1	MTBF@ 25°C shall be 50,000 hours min.	

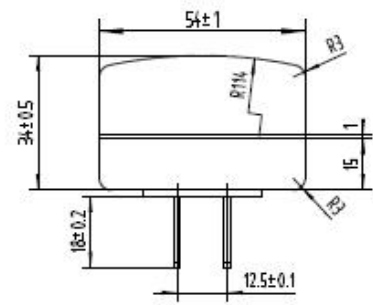
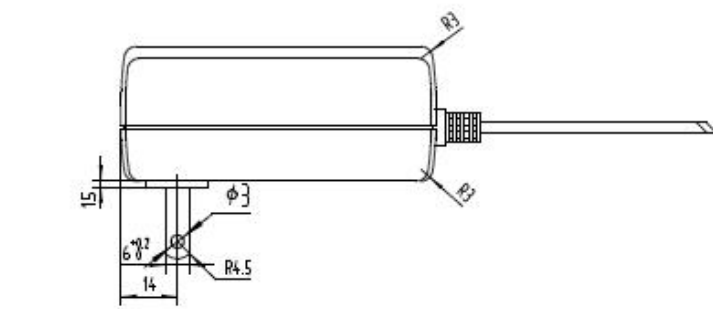
6. EMI REQUIREMENTS,

EMI STANDARD: EN55022 CLASS B,EN61000-3-2,3.,FCC Class B.

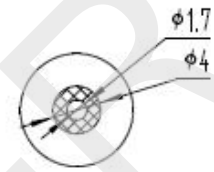
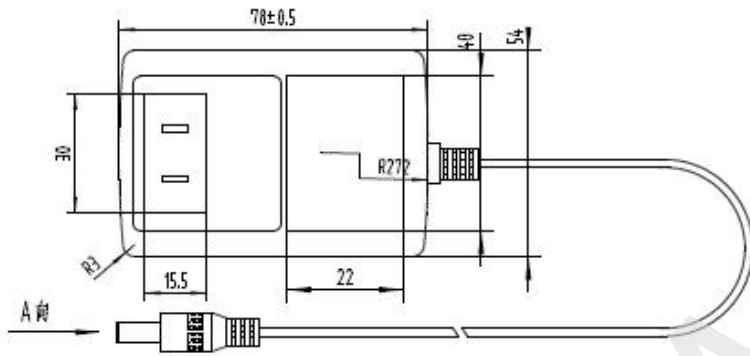
6.1	CONDUCTION The adapter will conform to FCC PART15 Class B, VCCI Class B, and CISPR Pub.13 Class B.		
6.2	RADIATION The adapter will conform to FCC PART15 Class B, VCCI Class B, and CISPR Pub.13 Class B.		

7. RoHS compliant

8. Size 78x54x34mm , as following drawing .



2:1



HCPower[®]

ADPV25、26 (UL)