



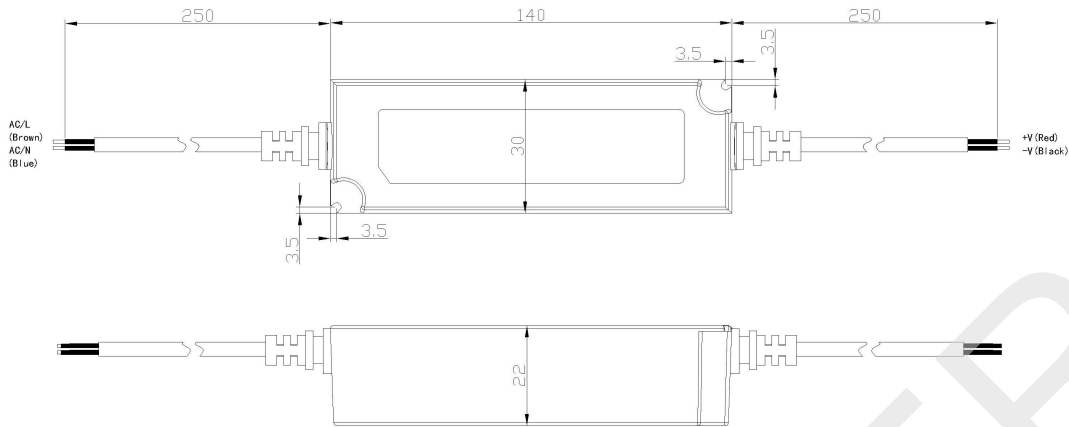
Features :

- Universal AC input / Full range (100-240VAC)
- Double isolated input & output cables
- Fully encapsulated with IP67 level
- Protections: Short circuit / Over voltage
- Built-in active PFC function
- No load power consumption <0.5W
- Class II power unit, no FG
- 100% full load burn-in test
- Suitable for LED lighting and moving sign applications
- Damp / wet location outdoor application
- 3 years warranty

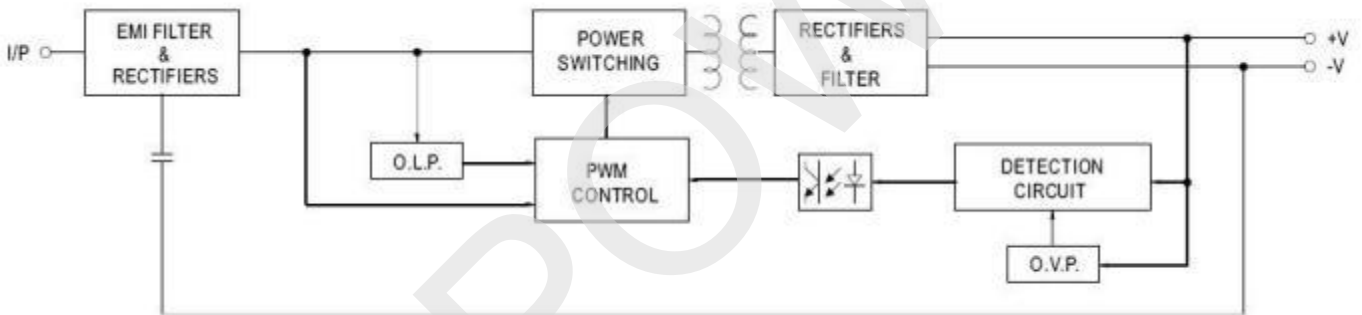
SPECIFICATION:

MODEL		LV20P-12H	LV20P-24H
OUTPUT	DC VOLTAGE	12V	24V
	RATED CURRENT	2A	1A
	CURRENT RANGE	0~ 2A	0~ 1 A
	RATEDPOWER	24W	24W
	RIPPLE & NOISE (max.)	150mVp-p	200mVp-p
	VOLTAGE TOLERANCE	±3.0%	
	LINE REGULATION	±1.0%	
	LOAD REGULATION	±2.0%	
	SETUP,RISE TIME	500ms,250ms/230VAC 500ms,250ms/110ac at full load	
	HOLD UP TIME (Typ.)	50ms/200VAC 24ms/110VAC at full load	
INPUT	VOLTAGE RANGE	100-240VAC	
	FREQUENCY RANGE	47~63Hz	
	POWER FACTOR	PF≥0.90/230VAC PF≥0.90/110VAC at full load	
	TOTAL HARMONIC DISTORTION	THD<20%(@load≧60%/110VAC,230VAC;@load≧75%/230VAC)	
	EFFICIENCY (Typ.)	82% full load	84% full load
	AC CURRENT(at full load)	0.6A/110VAC & 0.3A/230VAC	
	INRUSH CURRENT (max.)	COLD STAT 70A/230VAC 35A/110VAC at full load	
	LEAKAGE CURRENT	0.25mA/230VAC	
PROTECTION	SHORT CIRCUIT	Hiccup mode, recovers automatically after fault condition is removed.	
	OVER VOLTAGE	Above 13-20V	Above 25-36V
ENVIRONMENT	WORKING TEMP.	-30 ~ +70 °C (Refer to "Derating Curve")	
	WORKING HUMIDITY	20~90% RH non-condensing	
	STORAGE TEMP., HUMIDITY	-40~80C, 10~95% RH	
	TEMP. COEFFICIENT	± 0.03%/C (0~50C)	
	VIBRATION	10 ~ 500Hz, 2G 10min./1cycle, period for 60min . each along X,Y, Z axes	
SAFETY & EMC	SAFETY STANDARDS	Design refer to UL1310 Class 2,TUV EN62368- 1, EN61347-2- 13, CAN/CSA C22.2 No. 223-M91, meet IP67	
	WITHSTAND VOLTAGE	I/P-O/P:3KVAC	
	ISOLATION RESISTANCE	I/P-O/P:>100M Ohms / 500VDC / 25~70% RH	
	EMC EMISSION	Compliance to EN55015, EN61000-3-2 Class C;EN610000-3-3	
DIMENSION		140*30*22mm (L*W*H)	

Mechanical Specification



Block Diagram



Derating Curve:

Service life Curve:

