



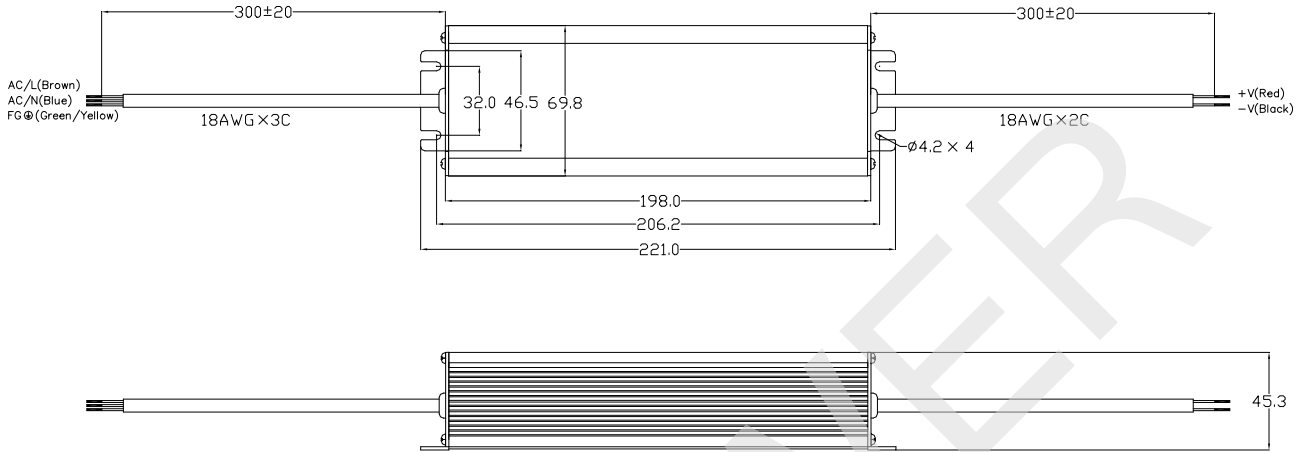
Features :

- Universal AC input/Full range
- Protections: Short circuit / Over voltage / Over temperature
- Built-in active PFC function
- Fully encapsulated with IP67 level
- Class 2 power unit, pass LPS
- Cooling by free air convection
- 100% full load burn-in test
- High reliability
- Suitable for LED lighting and moving sign applications
- Damp / wet location outdoor application
- 3 years warranty

SPECIFICATION:

| MODEL | | LGV150P-12 | LGV150P-15 | LGV150P-24 | LGV150P-36 | LGV150P-48 |
|---------------------|--|--|---------------|---------------|----------------|----------------|
| OUTPUT | DC VOLTAGE | 12V | 15V | 24V | 36V | 48V |
| | RATED CURRENT | 12.5A | 10A | 6.3A | 4.17A | 3.13A |
| | RATED POWER | 150W | 150W | 151.2W | 150.12W | 150.24W |
| | RIPPLE & NOISE (max.) | 150mVpp | 150mVpp | 200mVpp | 200mVpp | 200mVpp |
| | VOLTAGE TOLERANCE | ±3.0% | | | | |
| | LINE REGULATION | ±1.0% | | | | |
| | LOAD REGULATION | ±2.0% | | | | |
| | SETUP,RISE TIME | 1200ms, 80ms / 230VAC 1200ms, 80ms / 115VAC at full load | | | | |
| HOLD UP TIME (Typ.) | 60ms / 230VAC 30ms / 115VAC at full load | | | | | |
| INPUT | VOLTAGE RANGE | 100 ~ 240VAC | | | | |
| | FREQUENCY RANGE | 47~63Hz | | | | |
| | POWER FACTOR | PF>0.95/230VAC PF>0.98/115VAC at full load PF≥0.9 at 75 ~ 100% load, 115VAC / 230VAC | | | | |
| | EFFICIENCY(Typ.) | 85% | 85% | 86% | 88% | 88% |
| | AC CURRENT(at full load) | 2A / 115VAC 1A / 230VAC | | | | |
| | INRUSH CURRENT (max.) | COLD START 65A/230VAC | | | | |
| | LEAKAGE CURRENT | <1mA / 240VAC | | | | |
| PROTECTION | SHORT CIRCUIT | Hiccup mode, recovers automatically after fault condition is removed | | | | |
| | OVER VOLTAGE | Above 13 ~ 16V | Above 18~ 20V | Above 28~ 34V | Above 42 ~ 48V | Above 57 ~ 64V |
| | OVER TEMPERATURE | Protection type : Shut down o/p voltage, recovers automatically after temperature goes down | | | | |
| ENVIRONMENT | WORKING TEMP. | -30 ~ +55 @ full load ; +70 @ 60% load | | | | |
| | WORKING HUMIDITY | 20~95% RH non-condensing | | | | |
| | STORAGE TEMP., HUMIDITY | -40~80°C, 10~95% RH | | | | |
| | TEMP.COEFFICIENT | ±0.03%/°C (0~50°C) | | | | |
| | VIBRATION | 10 ~ 500Hz, 5G 12min./1cycle, period for 72min. each along X, Y, Z axes | | | | |
| SAFETY & EMC | SAFETY STANDARDS | Design refer to UL1310 Class 2,TUV EN62368-1, EN61347-2-13, CAN/CSA C22.2 No. 223-M91, meet IP67 | | | | |
| | WITHSTAND VOLTAGE | I/P-O/P:3.75KVAC I/P-FG:1.88KVAC O/P-FG:0.5KVAC | | | | |
| | ISOLATION RESISTANCE | I/P-O/P:>100M Ohms / 500VDC / 25~70% RH | | | | |
| | EMI CONDUCTION & RADIATION | Compliance to EN55015:2013+A1: 2015 | | | | |
| | HARMONIC CURRENT | Compliance to EN61000-3-2 Class C ; EN61000-3-3 | | | | |
| DIMENSION | | 221*69.8*45.3mm (L*W*H) | | | | |

Mechanical Specification



Block Diagram

